



Submersible Pump ESDP300

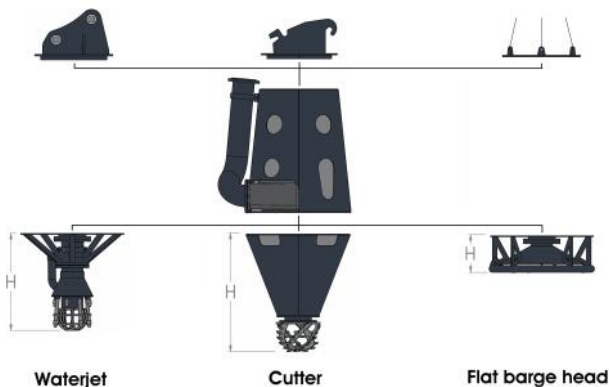
The Eureka dredge pump (EDP) handles a high concentration. It is used under water, powered by excavator or hydraulic power pack. Tools like a cutter head, sand head (water jet), flat barge head, auger head or others can be attached to this compact pump.

General information:

• Capacity max.	1900	*m ³ /hr
• Pump shaft speed max.	750	*rpm
• Max. power at shaft	320	*kW
• Suction diameter	305	mm
• Pressure diameter	300	mm
• Spherical passage	150	mm
• Blades	3	pcs
• Impeller size	790	mm
• Weight (Hydro)	3200	kg
• Excavator weight	±70	ton

* at 4½ bar.

Dredging Tools:



Water Jet

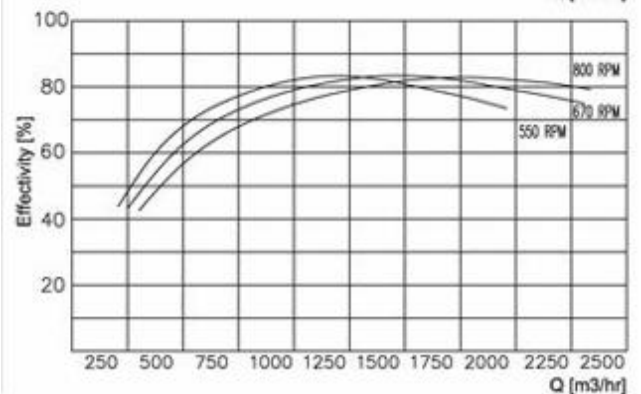
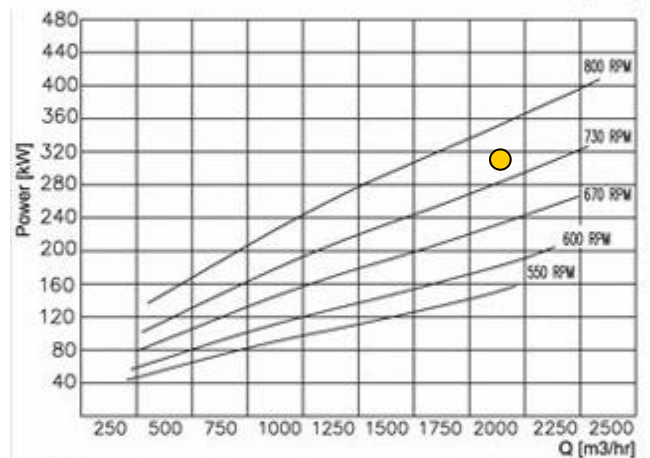
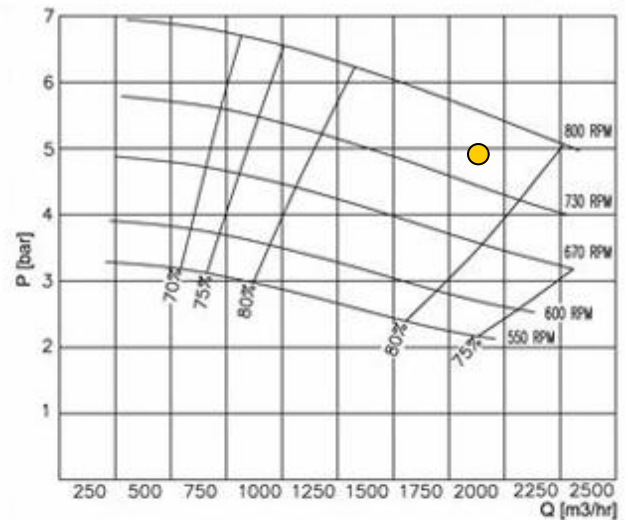
Pressure	8	bar
Water flow	500	l/min
Height	1360	mm

Cutter Drive

Max. power at shaft	42	kW
Oil flow	100	l/min
Oil pressure P at motor*	250	bar
Height	1590	mm

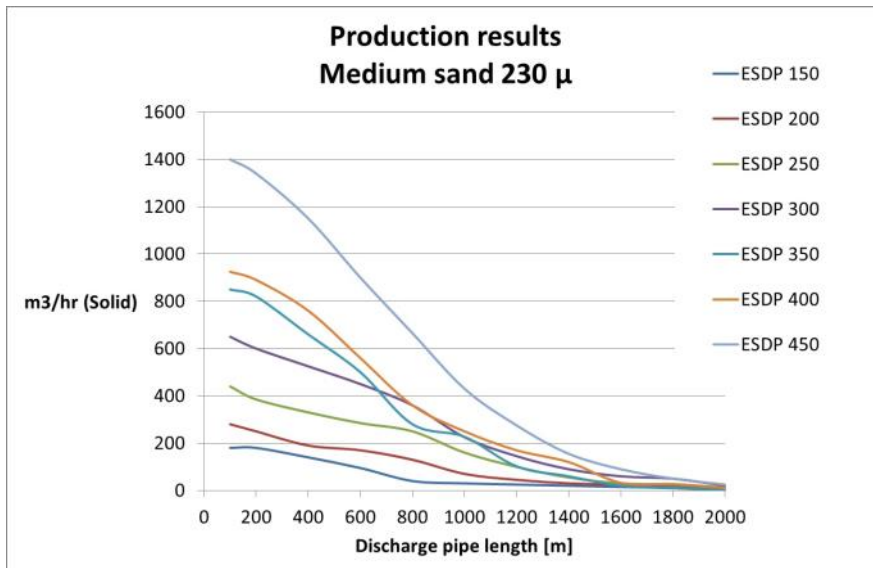
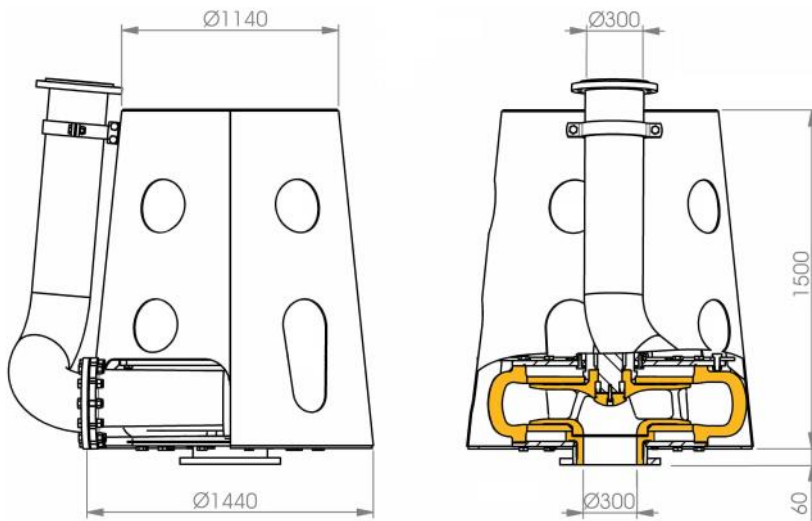
Flat Barge Head

Pressure	4-6	bar
Water flow	250	l/min
Height	460	mm



Submersible Dredge Pump ESDP300

Main dimensions:



Delivery Pipe



Water Jet Pump



Hydraulic Power Pack



Marsh crawler



Maasstraat 3
NL-7071 VR ULFT
The Netherlands

Phone : 0 (031) 315 377 608
Fax : 0 (031) 315 377 609
Email : info@eureka-bv.com